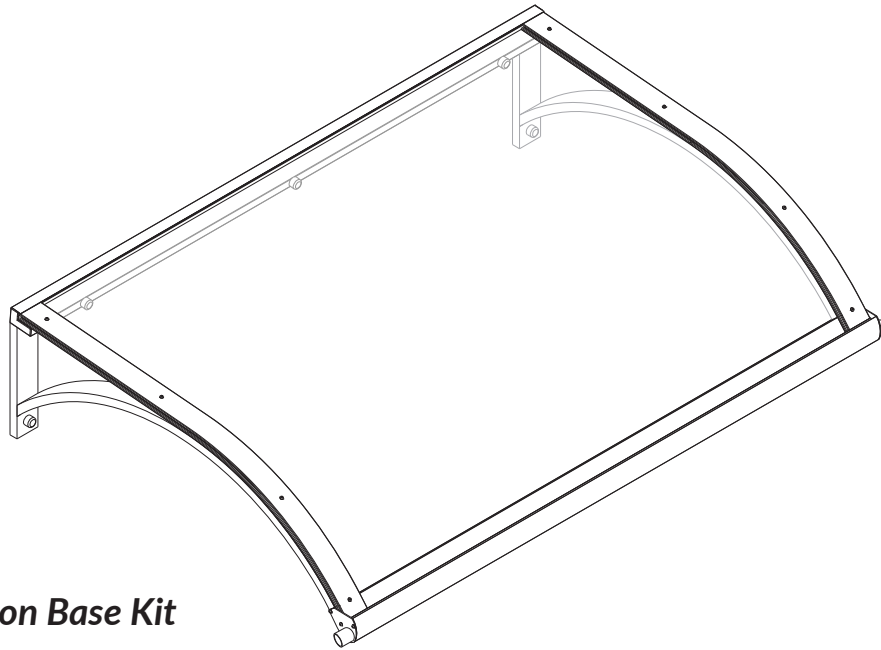
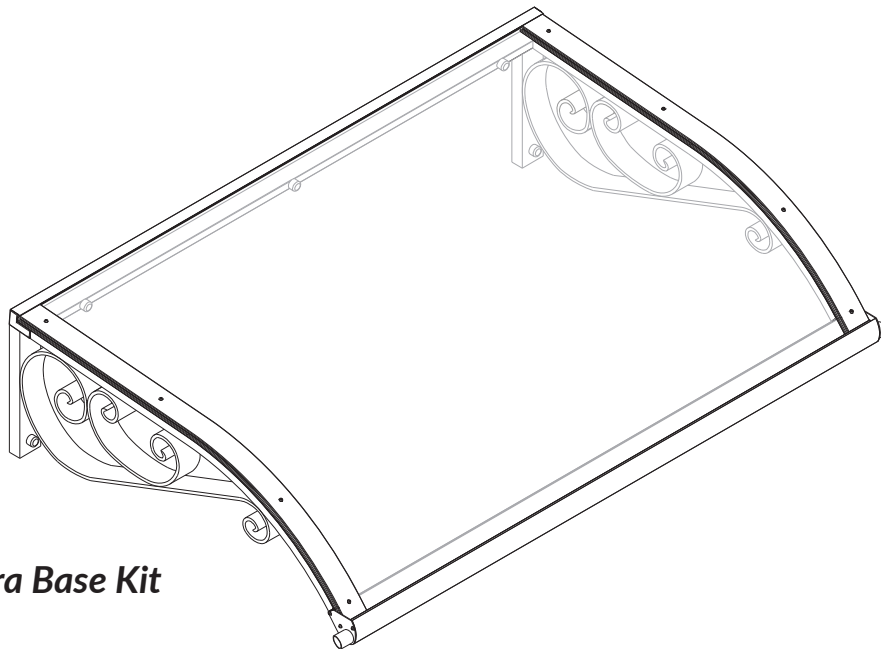


Installation Instructions

for Feeney Awnings - Base Kits



Icon Base Kit



Era Base Kit

Notes:

- 1) Prior to beginning installation, verify all parts and thoroughly review all of the installation instructions.
- 2) Consult local building code for all construction requirements in your area.
- 3) Use of an additional person or other method of lifting and positioning the awning is recommended to prevent bodily injury or damage to product.
- 4) Use caution to avoid damaging polycarbonate panel during installation. Leave protective film on polycarbonate panel until installation is complete. Remove film as last step of installation.
- 5) See back page for parts identification diagram.

STEP 1 - DETERMINE AWNING LOCATION

Determine the desired location of the awning on the mounting surface. If mounting over a door or window, first determine the centerline of the opening and mark it on the mounting surface above the opening. Ensure that sufficient blocking or structure exists (Figure 1.1) at all 5 of the attachment hole locations*

*Consult local building code for all construction requirements in your area.

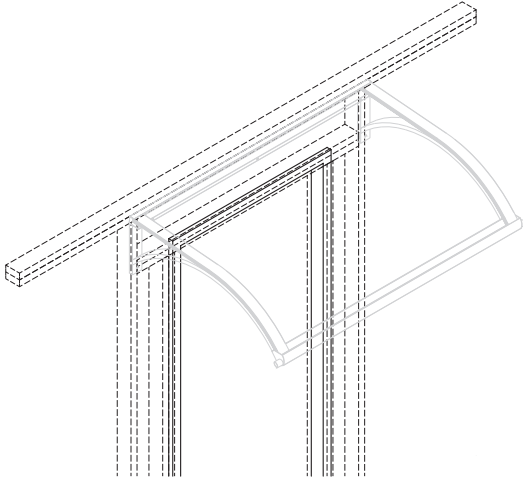


Figure 1.1

STEP 2 - PREPARE MOUNTING TEMPLATE

Mounting hole positions on the wall profile may vary due to manufacturing tolerances. To ensure accurate pre-drill hole locations, we recommend using the included mounting template and marking the actual mounting hole locations on the template using the included transfer punch.

Place the mounting template on a flat surface, then place the awning on top of the template on its back (Figure 2.1).

Align the bottom and side edges of the awning with the edges of the silhouette on the template. The template has reference symbols (⊕) in the lower right and left corners to help with alignment (Figure 2.2). The wall profile of the awning will align with either the Icon or the Era portion of the silhouette, depending on the model.

Mark the center of the five mounting holes on the template by using the included transfer punch to make a dimple mark on the mounting template (Figure 2.3). This can either be done by striking the transfer punch with a hammer or by pressing it down firmly into the template by hand. Take care not to damage polycarbonate panel during this step.

Note: Refer to back page for parts identification diagram.

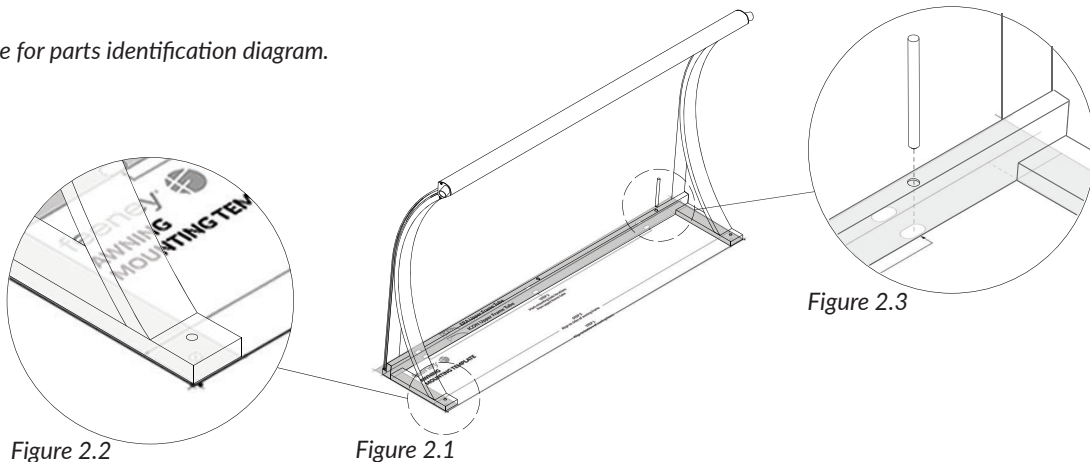
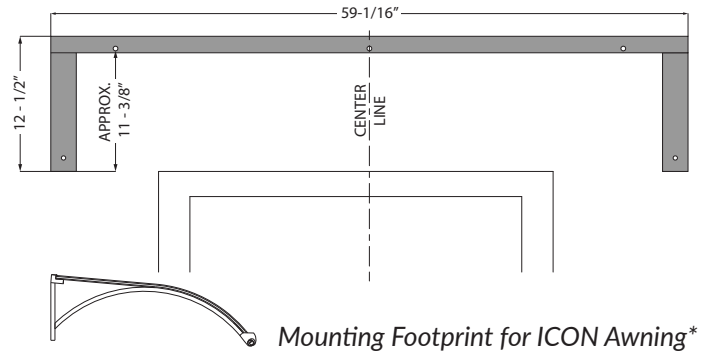


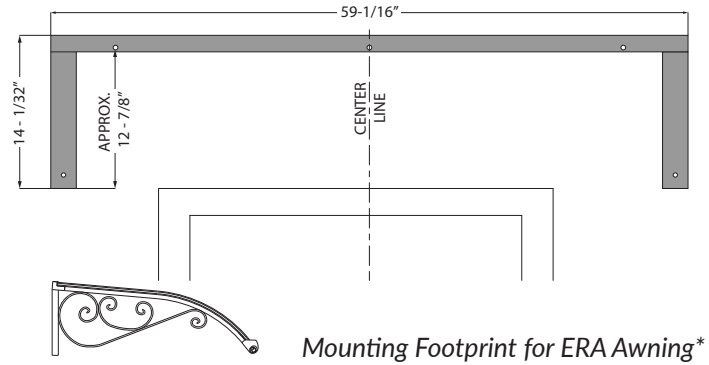
Figure 2.2

Figure 2.1

Figure 2.3



Mounting Footprint for ICON Awning*



Mounting Footprint for ERA Awning*

* dimension for upper mounting holes is approximate, see step 2 to locate actual hole locations using mounting template.

STEP 3 - PREDRILL FOR MOUNTING FASTENERS

Attach the mounting template to the mounting surface at the desired location using masking tape or painter's tape. Be sure that it's level and centered on your centerline. Pre-drill the holes for the fasteners at the marked locations on template (Figure 3.1). Hole diameters for the fasteners may vary depending on the mounting surface and fasteners (fasteners sold separately). Refer to fastener manufacturer's guidelines.

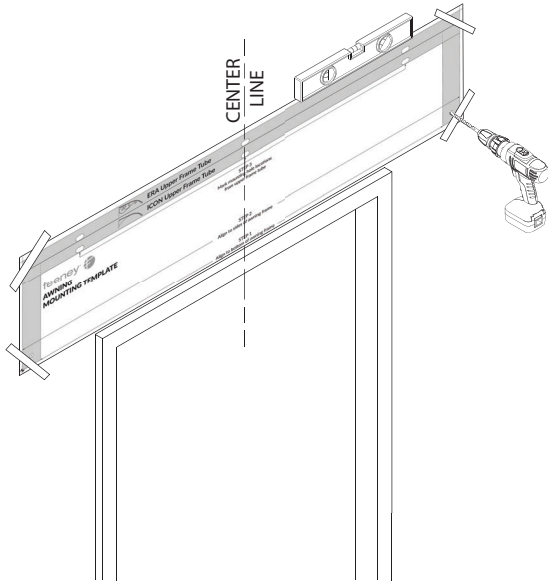


Figure 3.1

STEP 4 - ATTACH AWNING

Apply weatherproof sealant to back of the wall profile and support arms that contact the mounting surface (Figure 4.1). Secure the awning using the appropriate 3/8" diameter fasteners and the included threaded washers and decorative caps (Figures 4.2 & 4.3).

Note: Dry fitting the awning is recommended prior to application of the sealants, flashing, etc. to ensure proper alignment and position.

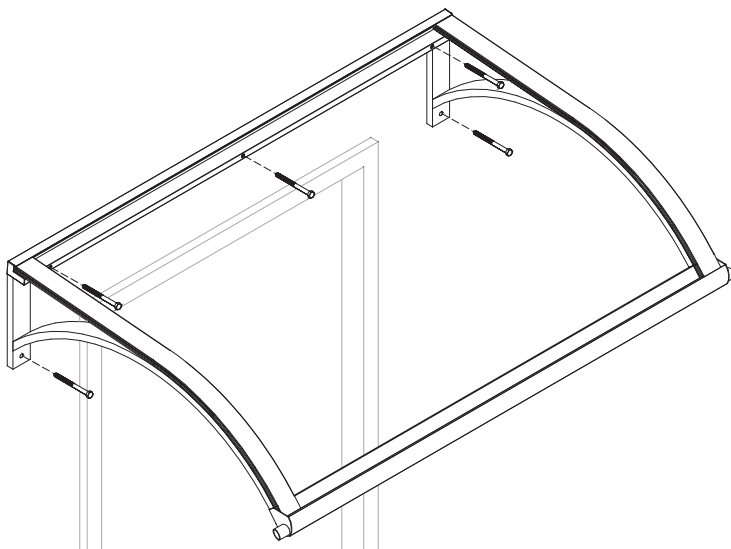


Figure 4.2

Fastener Recommendations:

Lag Screws: Use stainless steel 3/8" diameter lag screws. Minimum thread engagement: 2" for upper lags, 2.75" for lower lags.

Use 15/64" pilot hole for most applications. *Wood species may change the pilot hole diameter, consult an engineer for questions regarding specific applicatons.*

Through bolts: Use stainless steel 3/8" diameter bolts with 2" Fender washer and nylon lock nut on backside.

Machine Bolt: Use stainless steel 3/8"-16 machine bolt with minimum 3/8" of thread engagement into tapped hole in steel.

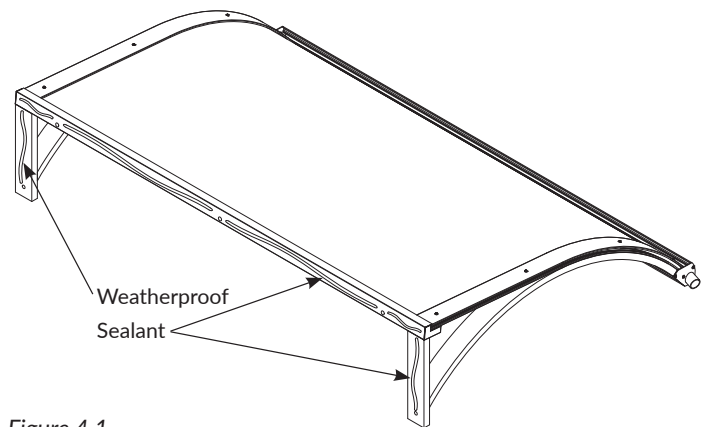


Figure 4.1

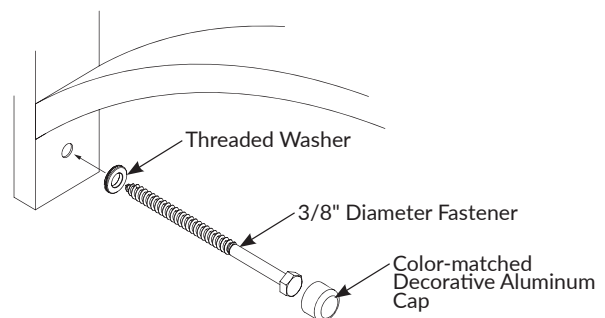
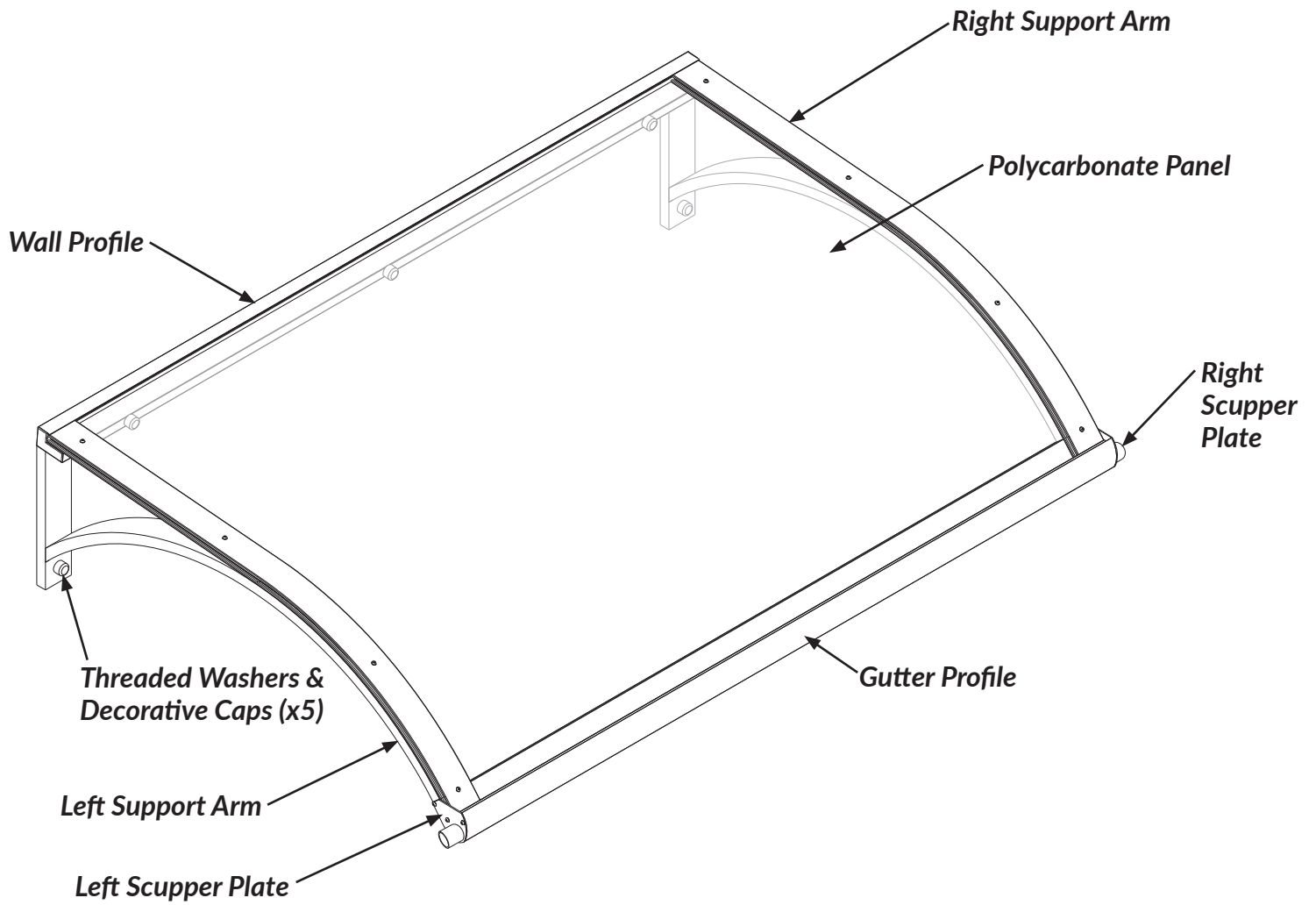


Figure 4.3

PARTS IDENTIFICATION DIAGRAM



www.feeneyinc.com
1-800-888-2418