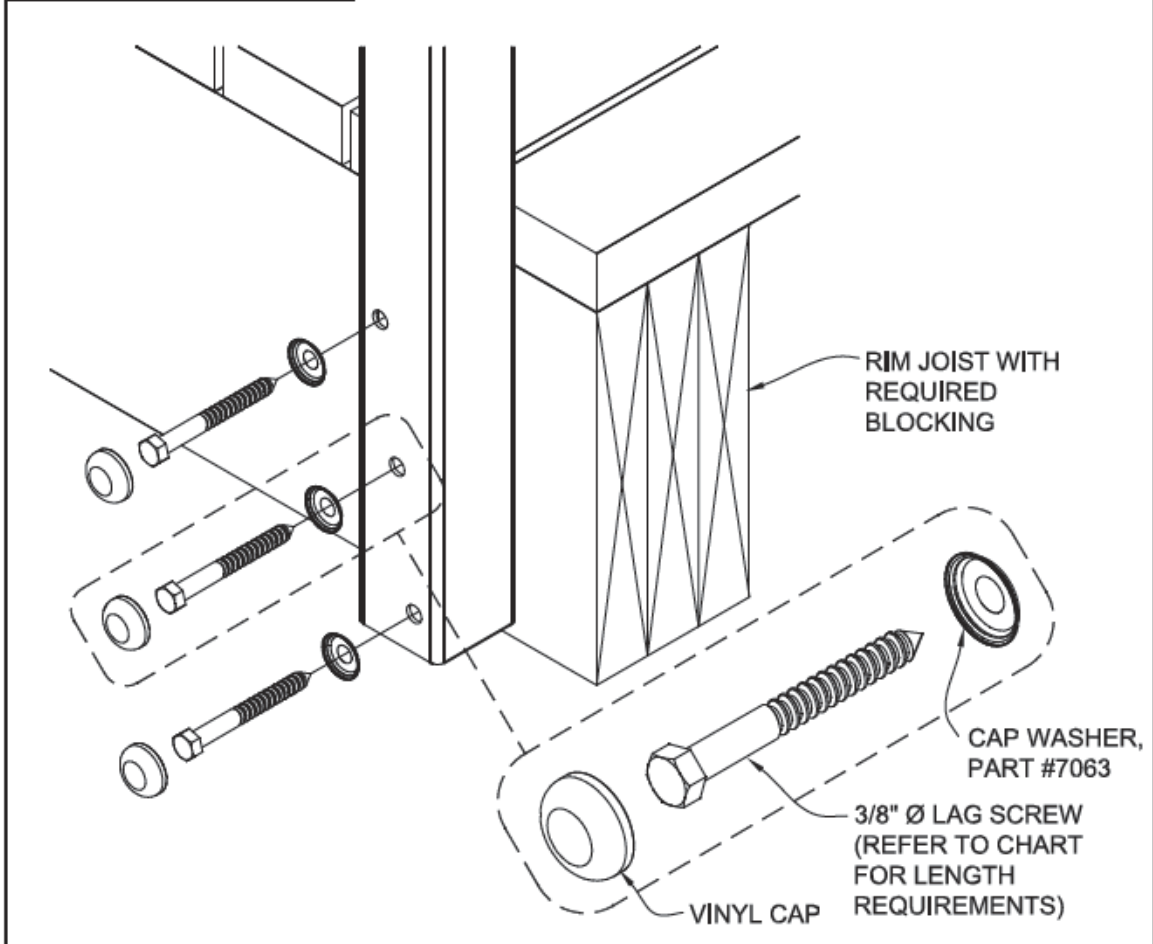


**NOTES:**  
 MINIMUM LAG PENETRATION DIMENSION, REFER TO REQUIREMENTS FOR LAG SCREW PENETRATION INTO SOLID LUMBER. LUMBER ASSUMED TO HAVE A MINIMUM 0.43 SPECIFIC GRAVITY (I.e: HEM-FIR).

RIM JOIST AND BLOCKING MUST BE PROPERLY ATTACHED TO STRUCTURE TO RESIST TRANSFERRED LOADS FROM POSTS.

IF USING COMPOSITE MATERIAL AS FASCIA BOARD, FASCIA THICKNESS WILL NOT CONTRIBUTE TO PENETRATION REQUIREMENT. LAG SCREW LENGTH AND BLOCKING MUST BE ADJUSTED TO ACCOUNT FOR ADDITIONAL LENGTH, AS NECESSARY.

BOLT PATTERN MAY VARY DEPENDING ON JOIST HEIGHT AND PROJECT TYPE.



		INTERIOR	EXTERIOR
RESIDENTIAL (MAX 6' OC)	36"	<p>2-3/4" MIN. LAG PENETRATION 6" LAG SCREWS, PART #7278</p>	<p>3-5/8" MIN. LAG PENETRATION 6-1/2" LAG SCREWS, PART #7209</p>
	38"-42"	<p>3" MIN. LAG PENETRATION 6" LAG SCREWS, PART #7278</p>	<p>4" MIN. LAG PENETRATION 7" LAG SCREWS, PART #7248</p>
COMMERCIAL (MAX 4' OC)	42"	<p>3" MIN. LAG PENETRATION 6" LAG SCREWS, PART #7278</p>	<p>4" MIN. LAG PENETRATION 7" LAG SCREWS, PART #7248</p>

**DESIGN·RAIL** Reference Drawing:  
**FASCIA MOUNT TO WOOD - LAG SCREWS**

THIS DRAWING IS THE PROPERTY OF FEENEY INC. ANY REPRODUCTION OF THIS DOCUMENT WITHOUT THE EXPRESSED WRITTEN CONSENT OF FEENEY INC. IS STRICTLY PROHIBITED.

DATE:	06/10/15
PAGE:	1 OF 1
REV:	
BY:	BWA
CHK:	

**feeney**  
*makes it easy*

2803 Union St., Oakland, CA 94607  
 P: 800-888-2418 F: 510-788-6041  
[www.feeneyinc.com](http://www.feeneyinc.com)