

Retail Quote Request Form

Store Name & Location _____
 Store Contact Person _____
 Store Phone _____
 Store Fax _____
 Store Contact Email _____
 Customer Name _____
 Project Name _____
 Project Shipping Address _____

 Project Timeline _____



Phone: 800-888-2418
 Fax: 510-788-6041
 Email: sales@feeneyinc.com

Project Type Residential - New Residential - Remodel
 Commercial - New Commercial - Remodel

Railing Infill Options
 1/8" Horizontal Cable
 1/8" Vertical Cable
 Glass
 Picket

Post Attachment Options
 Surface (Base) Mount
 Fascia Mount
 Fascia Bracket Mount
 Stanchion Mount
 Core Mount

Drawings/Documents (If Required)
 Project Specific Submittal Drawings
 Project Specific Structural Engineering

Railing Height
 36"
 38"
 42"
 Custom

Mounting Surface
 Concrete Slab
 Wood
 Composite over Wood
 Other

Project Location
 Inland
 Coastal (Salt Water)
 Distance from water _____

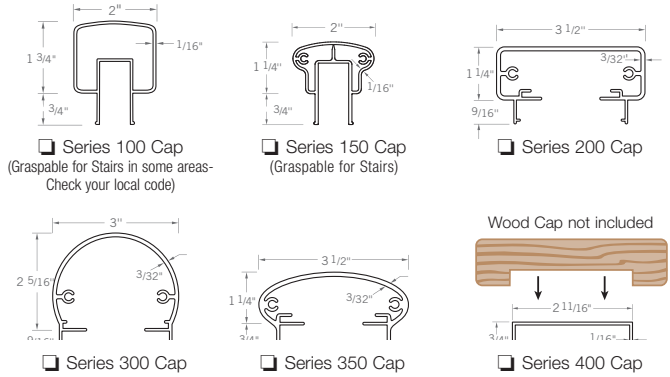
Foot Rail
 Yes
 No

Foot Rail Bottom Cover
 Yes
 No

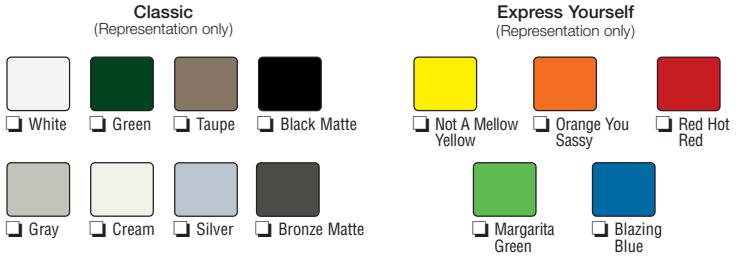
Deck Fascia Size
 2" x 6"
 2" x 8"
 2" x 10"
 2" x 12"

Accessories
 LED Rail Lights
 LED Single White Light
 LED Triple White Light
 Can Lights
 Single Gate
 Double Gate
 Applied Grab Rail

Cap Rail Options



Color Options



DesignRail® list prices start at \$80/ft for pickets, \$85/ft for horizontal cables, \$95/ft for glass, \$115/ft for vertical cables. Price quotes take 3-4 business days, and final orders take 3-4 weeks for delivery (Please contact Feeney for lead times on Express Yourself colors).

Sketch Area