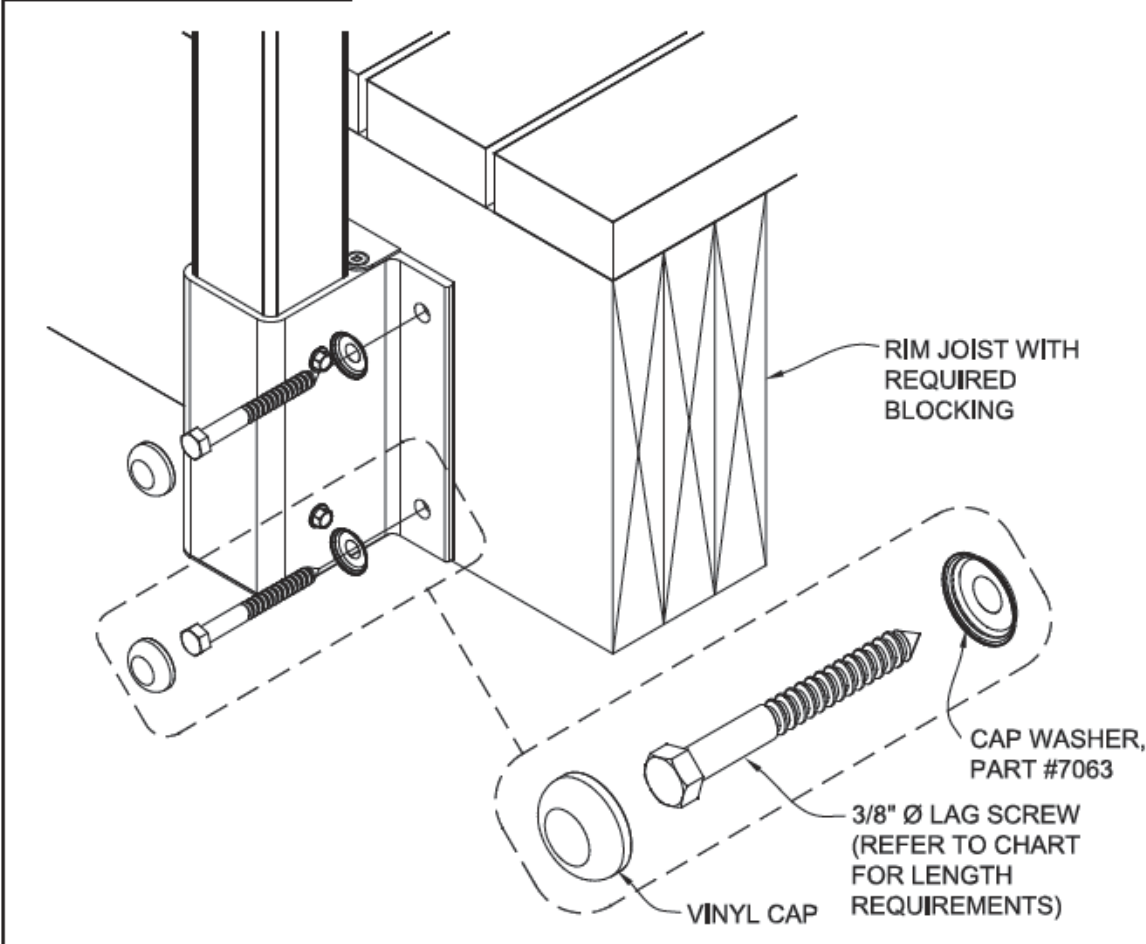


NOTES:
 MINIMUM LAG PENETRATION DIMENSION, REFER TO REQUIREMENTS FOR LAG SCREW PENETRATION INTO SOLID LUMBER. LUMBER ASSUMED TO HAVE A MINIMUM 0.43 SPECIFIC GRAVITY (i.e: HEM-FIR).
 RIM JOIST AND BLOCKING MUST BE PROPERLY ATTACHED TO STRUCTURE TO RESIST TRANSFERRED LOADS FROM POSTS.
 IF USING COMPOSITE MATERIAL AS FASCIA BOARD, FASCIA THICKNESS WILL NOT CONTRIBUTE TO PENETRATION REQUIREMENT. LAG SCREW LENGTH AND BLOCKING MUST BE ADJUSTED TO ACCOUNT FOR ADDITIONAL LENGTH, AS NECESSARY.
 BOLT PATTERN MAY VARY DEPENDING ON JOIST HEIGHT AND PROJECT TYPE.



		INTERIOR	EXTERIOR
RESIDENTIAL (MAX 6' OC)	36"	<p>3" MIN. LAG PENETRATION 3-1/2" LAG SCREWS, PART #7277</p>	<p>3-3/4" MIN. LAG PENETRATION 4-1/2" LAG SCREWS, PART #6565</p>
	38"-42"	<p>3-1/4" MIN. LAG PENETRATION 3-1/2" LAG SCREWS, PART #7277</p>	<p>4-1/4" MIN. LAG PENETRATION 4-1/2" LAG SCREWS, PART #6565</p>
COMMERCIAL (MAX 5' OC)	42"	<p>4" MIN. LAG PENETRATION 4-1/2" LAG SCREWS, PART #6565</p>	<p>5" MIN. LAG PENETRATION 6" LAG SCREWS, PART #7278</p>

DESIGN·RAIL Reference Drawing:
FASCIA BRACKET MOUNT TO WOOD - LAG SCREWS

THIS DRAWING IS THE PROPERTY OF FEENEY INC. ANY REPRODUCTION OF THIS DOCUMENT WITHOUT THE EXPRESSED WRITTEN CONSENT OF FEENEY INC. IS STRICTLY PROHIBITED.

DATE: 06/10/15
 PAGE: 1 OF 1
 REV:
 BY: BWA
 CHK:

feeney
makes it easy
 2603 Union St., Oakland, CA 94607
 P: 800-888-2418 F: 510-788-8041
 www.feeneyinc.com