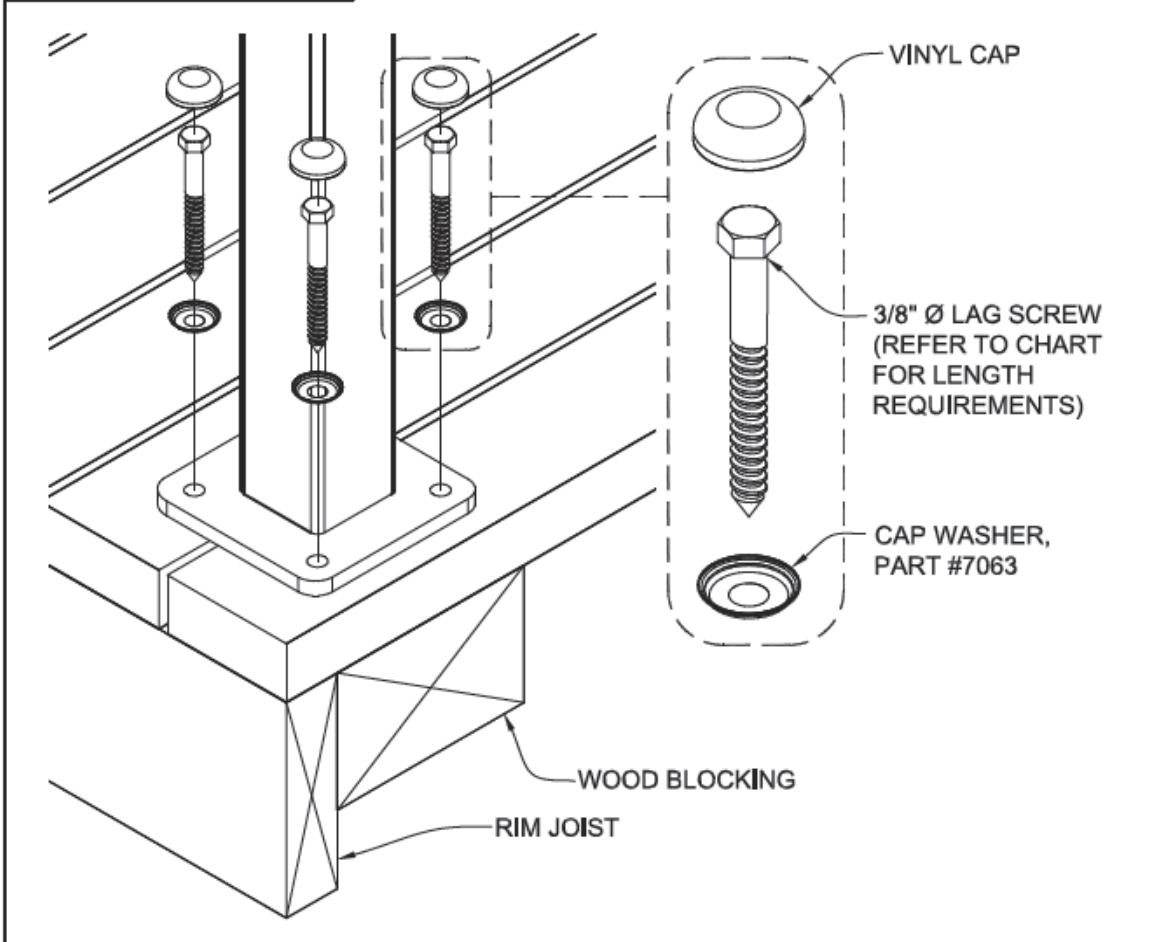


NOTES:
 MINIMUM LAG PENETRATION DIMENSION, REFER TO REQUIREMENTS FOR LAG SCREW PENETRATION INTO SOLID LUMBER. LUMBER ASSUMED TO HAVE A MINIMUM 0.43 SPECIFIC GRAVITY (ie: HEM-FIR).
 WOOD DECK BOARDS MUST BE PROPERLY ATTACHED TO STRUCTURE TO ACCOUNT FOR A PORTION OF THE LAG SCREW PENETRATION REQUIREMENT.
 IF USING COMPOSITE MATERIAL AS DECKING, DECK BOARDS WILL NOT CONTRIBUTE TO PENETRATION REQUIREMENT. LAG SCREW LENGTH AND BLOCKING MUST BE ADJUSTED TO ACCOUNT FOR ADDITIONAL LENGTH, AS NECESSARY.



		INTERIOR	EXTERIOR
RESIDENTIAL (MAX 6' OC)	36"	 3" MIN. LAG PENETRATION 3-1/2" LAG SCREWS, PART #7277	 4" MIN. LAG PENETRATION 4-1/2" LAG SCREWS, PART #6565
	38"-42"	 3-1/2" MIN. LAG PENETRATION 4-1/2" LAG SCREWS, PART #6565	 4-1/2" MIN. LAG PENETRATION 5" LAG SCREWS, PART #7280
COMMERCIAL (MAX 5' OC)	42"	 4-1/2" MIN. LAG PENETRATION 5" LAG SCREWS, PART #7280	 5-5/8" MIN. LAG PENETRATION 6" LAG SCREWS, PART #7278

DESIGN·RAIL Reference Drawing:
BASE MOUNT TO WOOD - LAG SCREWS

THIS DRAWING IS THE PROPERTY OF FEENEY INC. ANY REPRODUCTION OF THIS DOCUMENT WITHOUT THE EXPRESSED WRITTEN CONSENT OF FEENEY INC. IS STRICTLY PROHIBITED.

DATE: 06/10/15
 PAGE: 1 OF 1
 REV:
 BY: BWA
 CHK:

feeney
makes it easy
 2803 Union St., Oakland, CA 94607
 P: 800-888-2418 F: 510-788-8041
 www.feeneyinc.com